

urban-gro®

FLUENCE

BY OSRAM

SPYDR 2p

- ✓ LED Light 645W
- ✓ Autosensing 100-277V, 347V, 400V & 480V*
- ✓ Easy Installation and Maintenance
- ✓ UL 1598, Wet-Location Rated, IP66 & CE
- ✓ 5 Year Standard Warranty



SPYDR 2p | 645W LED Light

Specifications

- **Light Source:** LED
- **Spectrum:** I
- **PPF:** 1600 $\mu\text{mol/s}$
- **Input Power:** 645W
- **Dimming:** 0-10V
- **Light Distribution:** 120°
- **Average Life:** L90: > 54,000hrs
- **Power Factor:** >90%
- **Efficacy:** 2.5 $\mu\text{mol/J}$
- **Thermal Management:** Passive
- **Input Voltage:** Autosensing 100-277V, 347V, 400V & 480V*
- **Mounting Height:** $\geq 6"$ (15.2cm) Above Canopy
- **Certifications:** UL 1598 Wet-Location Rated, IP66 & CE
- **Warranty:** 5 Year Standard Warranty
- **Weight:** 27lbs. 11oz
- **Dimensions:** 42.8" L x 46.99" W x 4.3" H

Ordering Information

Family	SR: SPYDR
Model	2p: PLUS
Spectrum	I: PhysioSpec IndoorTM
Input Voltage	1: 100-277V 3: 347V* 4: 400V* 5: 480V*
AC Power Cord	06: 6 ft (1.83m) 15: 15 ft (4.57m)
AC Plug Type	N5P: NEMA 5-15P N6P: NEMA 6-15P L7P: NEMA L7-15P TFP: Schuko Type F PTP: Pigtails
DC Cord Extension	00: None 03: 3 ft (.91m) 06: 6 ft (1.83m)
Mounting	W: Waterfall Mounts S: Solid-Decking Mounts M: 2-Point Hanging Lances A: 2-Point Adjustable Hanging Kit



*347-480V SPYDR configurations operates at 3% higher wattage on average.

urban-gro.com

sales@urban-gro.com

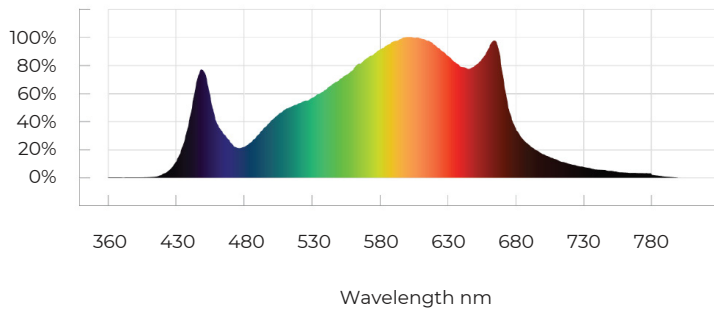
720-390-3880



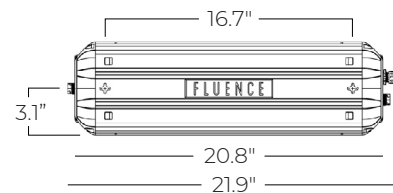
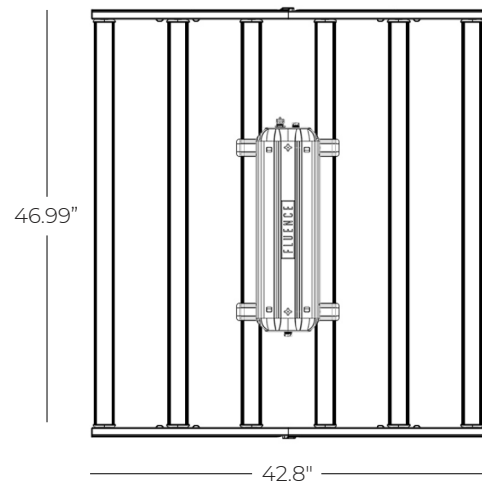
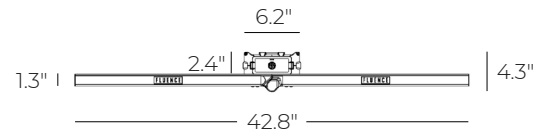
SPYDR 2p | **645W**
LED Light

Spectrum

PhysioSpec Indoor™



Dimensions



Max Amperage By Voltage Service

Voltage	120V	208V	240V	277V	347V
Amperage	5.38A	3.10A	2.69A	2.33A	1.91A



*347-480V SPYDR configurations operates at 3% higher wattage on average.