

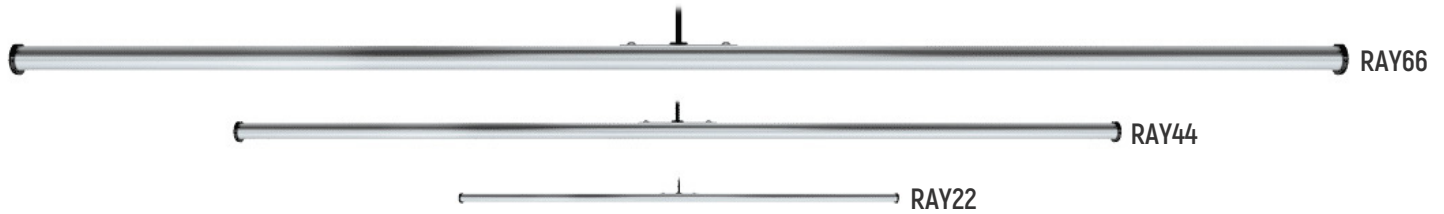
urban-gro[®]

FLUENCE

BY OSRAM

RAY 22, 44, 66

- ✓ LED Light 38-45W, 72-88W, 108-132W
- ✓ Autosensing 100-277V
- ✓ Easy Installation and Maintenance
- ✓ UL 1598 Wet Location Rating, IP66 & CE
- ✓ 3 Year Standard Warranty



RAY 22, 44, 66

- **Light Source:** LED
- **Spectrum:** PhysioSpec Indoor™, PhysioSpec Greenhouse™, AnthoSpec™, PfrSpec™, PrSpec™, UVSpec™
- **PPF (22"): 50-100 μmol/s**
- **PPF (44"): 108-200 μmol/s**
- **PPF (66"): 162-300 μmol/s**
- **Input Power (22"): 38-45W**
- **Input Power (44"): 72-88W**
- **Input Power (66"): 108-132W**
- **Dimming:** Dimming 0-10V
- **Light Distribution:** 120°
- **Average Life:** L70: > 150,000hrs
- **Power Factor:** >90%
- **Efficacy:** 1.4-2.6 μmol/J
- **Thermal Management:** Passive
- **Input Voltage:** Autosensing 100-277V
- **Mounting Height:** ≥ 6" (15.2cm) Above Canopy
- **Certifications:** cETL & UL 1598 Damp Location Rated
- **Warranty:** 3 Year Standard Warranty
- **Fixture Dimensions (22"): 22" L x 2.2" W x 1.4" H**
- **Fixture Weight (22"): 1lbs, 4oz, 0.56kg**
- **Fixture Dimensions (44"): 44" L x 2.2" W x 1.4" H**
- **Fixture Weight (44"): 2lbs, 3oz, 1kg**
- **Fixture Dimensions (66"): 66" L x 2.2" W x 1.4" H**
- **Fixture Weight (66"): 3lbs, 2oz, 1.42kg**
- **Power Supply Dimensions:** 10.25" L x 1.9" W x 1.6" H
- **Power Supply Weight:** 2lbs, 2oz, 1kg

Max Amperage By Voltage Service

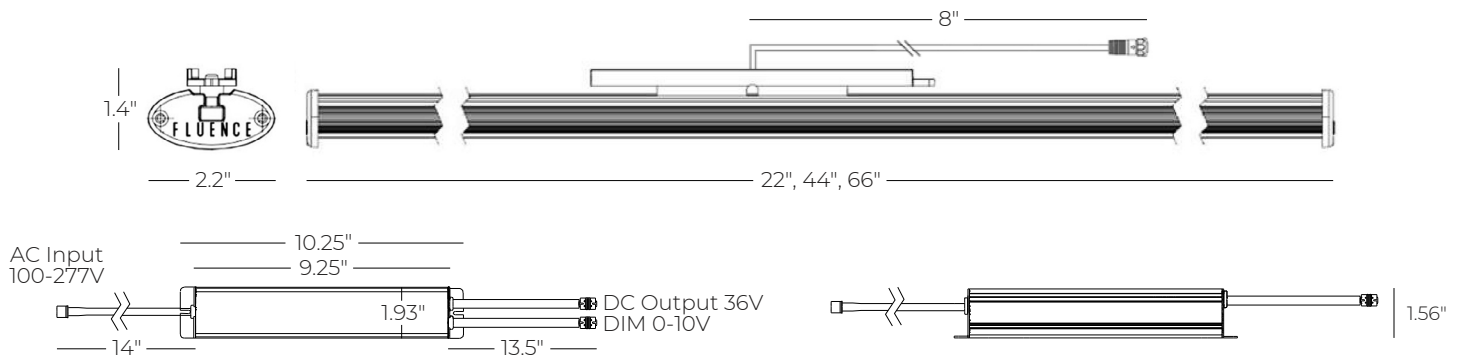
Voltage	120V	208V	240V	277V
RAY 22 Amperage	0.38A	0.22A	0.19A	0.16A
RAY 44 Amperage	0.71A	0.41A	0.35A	0.31A
RAY 66 Amperage	1.4A	0.60A	0.52A	0.45A

Ordering Information

Family	RY: RAY
Model	22: 22" 44: 44" 66: 66"
Spectrum	I: PhysioSpec Indoor™ G: PhysioSpec Greenhouse™ A: AnthoSpec™ F: PfrSpec™ R: PrSpec™ U: UVSpec™
Input Voltage	1: 100-277V
AC Power Cord	06: 6 ft (1.83m) 15: 15 ft (4.57m)
AC Plug Type	N5: NEMA 5-15P N6: NEMA 6-15P L7: NEMA L7-15P PT: Pigtails
Mounting	R: Standard K: Suspension Kit E: Extension Kit



Dimensions



Spectrum

